




16 	110	50 - 60	11302	4	113	4	1110	4
	240	50 - 60	11304	6	114	9	1111	9
	415	50 - 60	112	9	11306	6	11308	6
32 	110	50 - 60	11310	4	1116	4	1122	4
	240	50 - 60	11312	6	1117	9	1123	9
	415	50 - 60	1115	9	11314	6	11316	6
63 	110	50 - 60	1106	4	1125	4	1129	4
	240	50 - 60	1104	6	1126	9	1130	9
	415	50 - 60	1107	9	1127	6	1124	6



Surface Mounting Socket Outlet

Top & Bottom Cable Entry



Splashproof

16A = M20




32A = M25

63A = M40 Top / M32 Bottom

16A and 32A with screw terminals

63A with screw / clamp terminals and pilot contact

Note: This pilot contact should **NOT** be counted as a main 'pin'

16 	110	50 - 60	11303	4	1135	4	1141	4
	240	50 - 60	11305	6	1136	9	1142	9
	415	50 - 60	1134	9	11307	6	11309	6
32 	110	50 - 60	11311	4	1147	4	1153	4
	240	50 - 60	11313	6	1148	9	1154	9
	415	50 - 60	1146	9	11315	6	11317	6
63 	110	50 - 60	1156	4	1159	4	1163	4
	240	50 - 60	1157	6	1160	9	1164	9
	415	50 - 60	1158	9	1161	6	1112	6



Surface Mounting Socket Outlet

Top & Bottom Cable Entry



Watertight

16A = M20

32A = M25

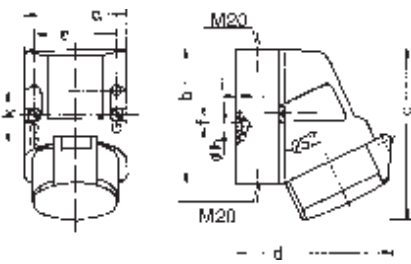
63A = M40 Top / M32 Bottom

16A and 32A with screw terminals

63A with screw / clamp terminals and pilot contact

Note: This pilot contact should **NOT** be counted as a main 'pin'

Dimensions

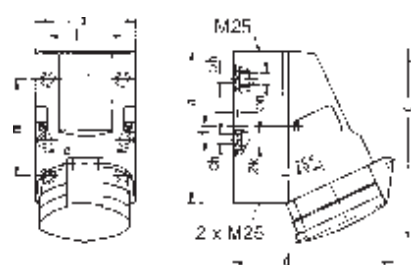


Amperes	16		
Poles	3	4	5
a	64	75	75
b	87	100	100
c	117	129	131
d	103	108	116
e	51	59	59
f	-	11	11
h	4.1	5.1	5.1
i	4.5	4.5	4.5
k	40	-	-
Conductor mm ² min	1.5	1.5	1.5
Conductor mm ² max	4	4	4

Surface Mounting Socket Outlet

Cable entry one at top (open), one at bottom and on the back (closed) base of enclosure can rotate by 180°


 Splashproof

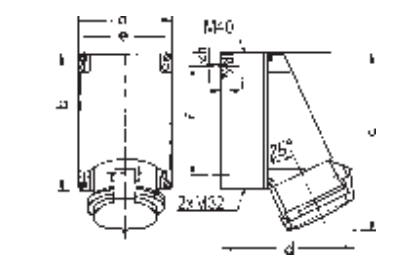


Amperes	32		
Poles	3	4	5
a	83	83	83
b	126	126	126
c	155	155	155
d	130	130	136
e	68	68	68
f	11	11	11
h	5.5	5.5	5.5
i	6.5	6.5	6.5
k	12	12	12
l	65	65	65
m	80	80	80
n	10	10	10
Conductor mm ² min	2.5	2.5	2.5
Conductor mm ² max	10	10	10

Surface Mounting Socket Outlet

Cable entry one at top (open), two at bottom and one on the back (closed) base of enclosure can rotate 180° drill holes prestamped in the base of the enclosure

 Splashproof

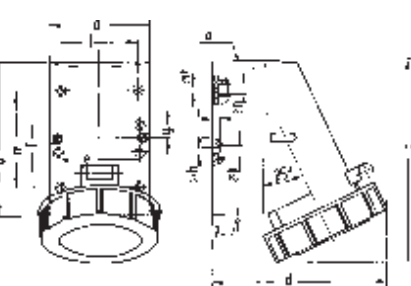


Amperes	63		
Poles	3	4	5
a	118	118	118
b	170	170	170
c	223	223	223
d	168	168	168
e	104	104	104
f	136	136	136
h	6.1	6.1	6.1
i	6	6	6
Conductor mm ² min	6	6	6
Conductor mm ² max	25	25	25

Surface Mounting Socket Outlet

Temperature resistant contact carrier, cable entry one at top (open) and two at bottom (closed)

 Splashproof

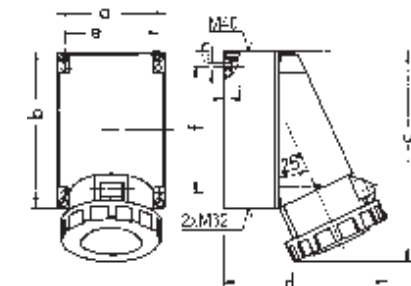


Amperes	16			32		
Poles	3	4	5	3	4	5
a	64	75	75	83	83	83
b	87	100	100	126	126	126
c	115	130	130	160	160	160
d	103	110	115	129	129	135
e	51	59	59	68	68	68
f	20	11	11	11	11	11
g	20	-	-	-	-	-
h	4.1	5.1	5.1	5.5	5.5	5.5
i	4.5	4.5	4.5	6.5	6.5	6.5
k	8	10	10	12	12	12
l	-	-	-	65	65	65
m	-	-	-	80	80	80
n	-	-	-	10	10	10
o	M20	M20	M20	M25	M25	M25
p	M20	M20	M20	2xM25	2xM25	2xM25
Conductor mm ² min	1.5	1.5	1.5	2.5	2.5	2.5
Conductor mm ² max	4	4	4	10	10	10

Surface Mounting Socket Outlet

Cable entry one at top (open), one at bottom at 16 Amp and two at 32 Amp (Closed)

 Watertight



Amperes	63		
Poles	3	4	5
a	118	118	118
b	170	170	170
c	228	228	228
d	176	176	176
e	104	104	104
f	136	136	136
h	6.1	6.1	6.1
i	6	6	6
Conductor mm ² min	6	6	6
Conductor mm ² max	25	25	25

Surface Mounting Socket Outlet

Temperature resistant contact carrier cable entry one at top (open) and two at bottom (closed)

 Watertight